

Compact **BEDSIDE CABINETS**

Model C3 P



Model C1 P



Compact

GENERAL CHARACTERISTICS

- Innovative cabinet top with cavities for cups and medicines.
- Two-way bedside cabinets permitting their use from either side of the bed.
- Adjustable incorporated overbed table with automatic locking.
- Ventilated bottom in stainless steel.



Model C2 P

*Cabinet top with towel holder.
(Optional)*



Lateral bottle holder in plastic material easily reachable by the patient.



Anti-shock pulling handle.



Twin non-marking castors 50 mm Ø with high impact wall bumpers.



Main features

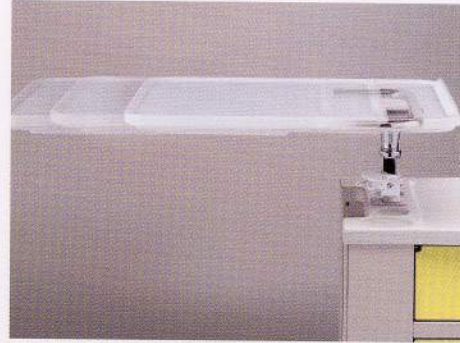
Classic bedside cabinet with steel sheet structure, epoxy powder coated. Both drawer fronts and doors in stratified plastic laminate of 8 mm thickness with rounded corners. They are designed and equipped with: new anti-shock pulling handle, new lateral bottle holder in plastic material, innovative height adjustment system of the overbed table with automatic locking, new base with high impact wall bumpers, new cabinet top with cavities for cups and medicines. All these features, besides the flexibility of using, make the **Compact** bedside cabinets respond to the needs of the most advanced modern hospital service.



Two-way drawer and cabinet doors permitting the use of the bedside cabinet from either side of bed.



Button to adjust the height of the overbed table.



Incorporated sliding overbed table.



Button to adjust the inclination of the overbed table (models C 3P).



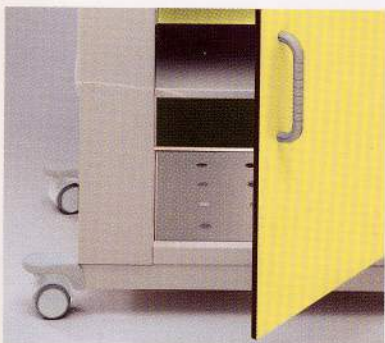
Tilting overbed table (models C 3P).



Cabinet top with cavities for cups and medicines.



360° rotating overbed table.

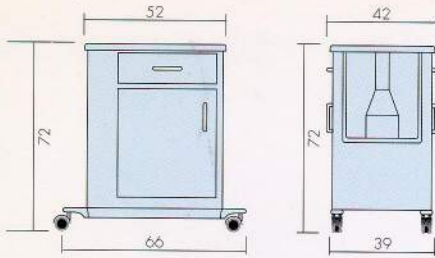


Ventilated bottom in stainless steel.



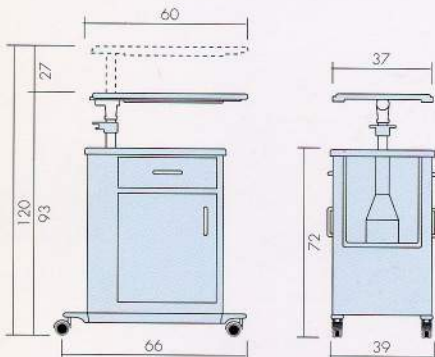
Height adjustable overbed table from 93 cm to 120 cm

TECHNICAL DATA



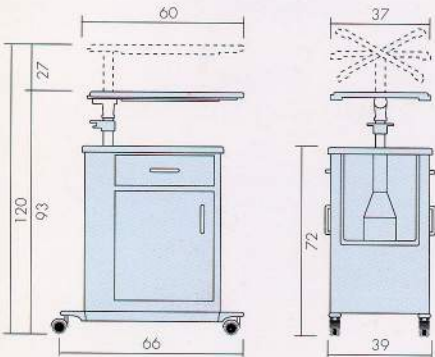
C1 P 39-0189

- Steel sheet structure, epoxy powder coated.
- Two-way drawer and cabinet doors.
- Drawer fronts and doors in stratified plastic laminate of 8 mm thickness with rounded corners.
- Anti-shock pulling handles.
- Lateral bottle holder in plastic material.
- Ventilated bottom in stainless steel.
- Base on 4 twin castors 50 mm \varnothing with high impact wall bumpers.



C2 P 39-0190

- Steel sheet structure, epoxy powder coated.
- Sliding, rotating and adjustable in height incorporated overbed table.
- Two-way drawer and cabinet doors.
- Drawer fronts and doors in stratified plastic laminate of 8 mm thickness with rounded corners.
- Anti-shock pulling handles.
- Lateral bottle holder in plastic material.
- Ventilated bottom in stainless steel.
- Base on 4 twin castors 50 mm \varnothing with high impact wall bumpers.



C3 P 39-0191

- Steel sheet structure, epoxy powder coated.
- Sliding, rotating, tilting and adjustable in height incorporated overbed table.
- Two-way drawer and cabinet doors.
- Drawer fronts and doors in stratified plastic laminate of 8 mm thickness with rounded corners.
- Anti-shock pulling handles.
- Lateral bottle holder in plastic material.
- Ventilated bottom in stainless steel.
- Base on 4 twin castors 50 mm \varnothing with high impact wall bumpers.

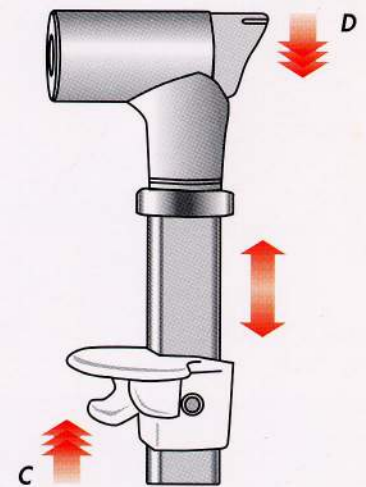
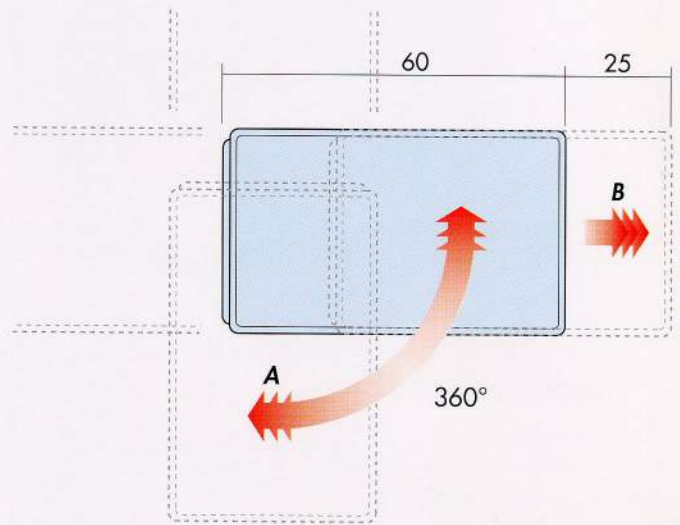
1 To lift up the overbed table, press upward button (C) till the table reaches the desired height. By releasing the button, the table will be locked automatically.

2 To lower the overbed table, press upward button (C) and apply with the palm of the other hand a pressure downward on the overbed table. By releasing the button, the overbed table will be locked at the desired height.

3 To tilt the overbed table, press the button (D) with the thumb and regulate the inclination of the table. Release the button for locking.

A The overbed table revolves 360° in both directions.

B The overbed table slides 25 cm manually.



Dimensions in cm