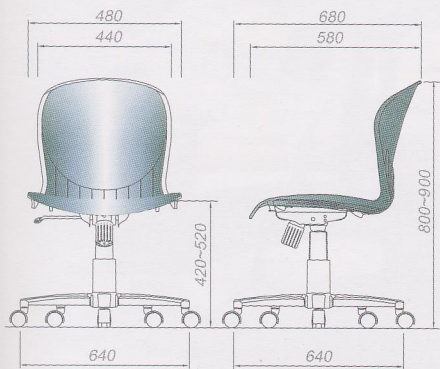
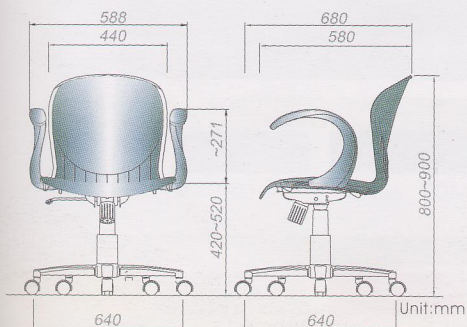


Swivel Chair



Master CTN Pack
10(K / D)
CUFT
Contr Q'ty 20'
640.pcs
NW / GW (kgs)
5278. / 5350.



Master CTN Pack
10K / D(Armrest)
CUFT
Contr Q'ty 20'
520.pcs
NW / GW (kgs)
5328. / 5400.

Special Features :

The injection molded PP shell features recyclable, environment friendly materials.

Chair back strength and seating impact passed BIFMA test.

With seat height and tilt adjustment.

Contoured lumber backrest support.

Nylon 5 star base and casters.

Armrest available on request.

PP armrests, fabric upholstery, and vinyl upholstery available on request.



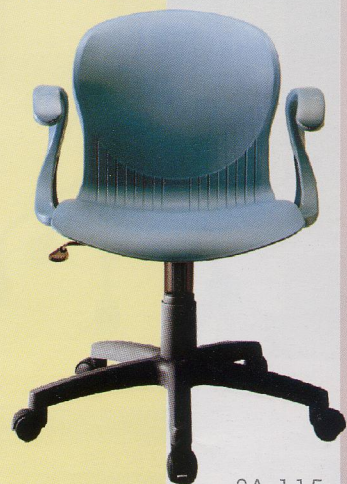
SA

Seat & Backrest

Plastic —

P45

P0-



SA-115



SA-155