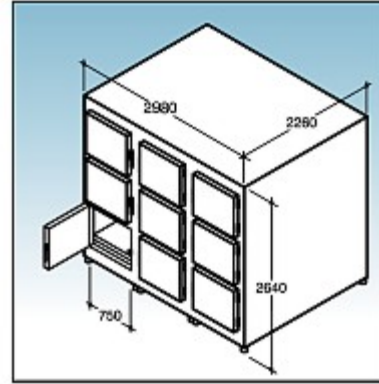




Product details: Nine body refrigeration units (3 rows) -9 doors- normal temperature 0° C



Technical references

- Working temperature: 0°C
- Temperature range: -5°C / +5°C
- Absorbed power: Kw 2,1
- Power supply: V380 / 3 / 50 Hz
- Refrigeration yield: W 3893 0°C / + 35°C

Models

Available Versions:

- Code -CEACZ33 - plasticized zinc-plated steel.
- Code -CEACA33 - stainless steel.

Accessories

Lift Trolley: [display complete table](#)



REFRIGERATION UNITS CONSTRUCTION CHARACTERISTICS

BOX CONSTRUCTION

The box is composed of modular sandwich-type panels comprising two metal plates with a layer of rigid polyurethane foam injected between them for thermal insulation.

Panel thickness: 80 mm

WALLS, CEILING AND DOORS

- STANDARD FINISH:

in zinc-plated steel plate, plasticized with 120 m thick, white, non-toxic, self-extinguishing rigid PVC film in compliance with the latest health regulations.

- STAINLESS STEEL FINISH:

in 18/8 AISI 304 stainless steel plate (both internal and external finish, or only internal upon request), thickness 6/10.

FLOOR

The floor consists of a 10 mm thick polyurethane foam panel reinforced with pre-compressed chipboard layers.

- STANDARD FINISH:

treading surface in zinc-plated steel plate plasticized with 200m thick grey, anti-slip, non-toxic, self-extinguishing rigid PVC film in compliance with the latest health regulations.

- STAINLESS STEEL FINISH:

treading surface in 18/8 AISI 304 anti-slip stainless steel plate in compliance with the latest health regulations.

INSULATION

Obtained using CFC-free, rigid, self-extinguishing polyurethane foam as per ASTM D 1692 regulations with 40 kg/cu.m density. Excellent thermal, chemical and dimensional stability.

BODY STRETCHERS AND INTERNAL STRUCTURE

The body stretchers are completely made of stainless steel. A "tank-type" perimetral raised rim around the edges is provided for the collection of organic fluids. They come equipped with nylon wheels to slide on the refrigeration unit rails and with handles to facilitate introduction, extraction and transport.

The internal structure of the cold room is composed of a stainless steel tube frame for the sliding of the stretchers, which can partially project from the unit - up to 50% of their length - for body identifications or autopsies. The stretchers can always be extracted completely.

REFRIGERATION SYSTEM

The refrigeration system is made of first-quality materials and components produced by the leading companies in the sector. It is available in the integrated or remote version and comprises: condensing unit, evaporation unit, electronic management and control panel.

- STRUCTURE:

in painted steel plate with removable panels for easy maintenance.

- COMPRESSOR:

sealed-type compressor with gas aspiration cooling, complete with total protection motor with

electronically-controlled thermistors. Ecologic gas. The expansion of the gas is achieved through capillary tube or thermostatic valve.

Rated powers indicated in the appropriate illustrative sheets.

BATTERIES, ELECTRIC FANS AND DEFROSTING

The heat exchange batteries (evaporator and condenser) are built with copper piping; the frame and fins are in

aluminium, with ample exchange surface area. The electric fans for the evaporator are totally sealed.

The defrosting with hot gas system and electric resistances avoids the outflow of condensate.

CONTROL PANEL

The control panel is completely automated and supervises all system functions. It comprises an electronic control unit that can be programmed as required (adjustment of the thermostat, setting of the min./max. operating values, setting of the type of defrosting, evaporator fan start delay, pause time after defrosting for internal drainage, temperature and probe malfunction alarms, switching the internal light on/off, and setting of the protections for the number of pressure-switch triggerings).

STANDARD EQUIPMENT

- Refrigeration unit illumination by microswitch positioned on the doors with automatic system switch-off.

- Digital read-out electronic control panel.

- Temperature variation and malfunction alarm.

- Fluid discharge unit positioned on the floor.
- Anticondensate electric resistance on the doors (for low-temperature units).

ACCESSORIES

- Doors with triple-glass inspection windows.
- Graphic temperature recorder.
- Activated-carbon filter air extraction system.
- Auxiliary "stand-by" cooling system.
- Lateral service door.
- Wheels (only for small-sized units).

SPECIAL VERSIONS

- Special refrigeration units designed for use in tropical countries and unfavourable climatic conditions.
- Systems with water condensation.
- Systems with special power supply (60 Hz).
- Special versions (refrigeration units for ships, etc.).
- Special versions for individual refrigeration of separate bodies.
- Special versions for infected and/or radioactive bodies.
- Special versions with personalized dimensions.

ASSEMBLY AND OPERATION

The assembly of the refrigeration units with integrated cooling system does not present particular difficulties and upon request can also be performed by the technical personnel directly appointed by the customer, by carefully following the assembly instructions.

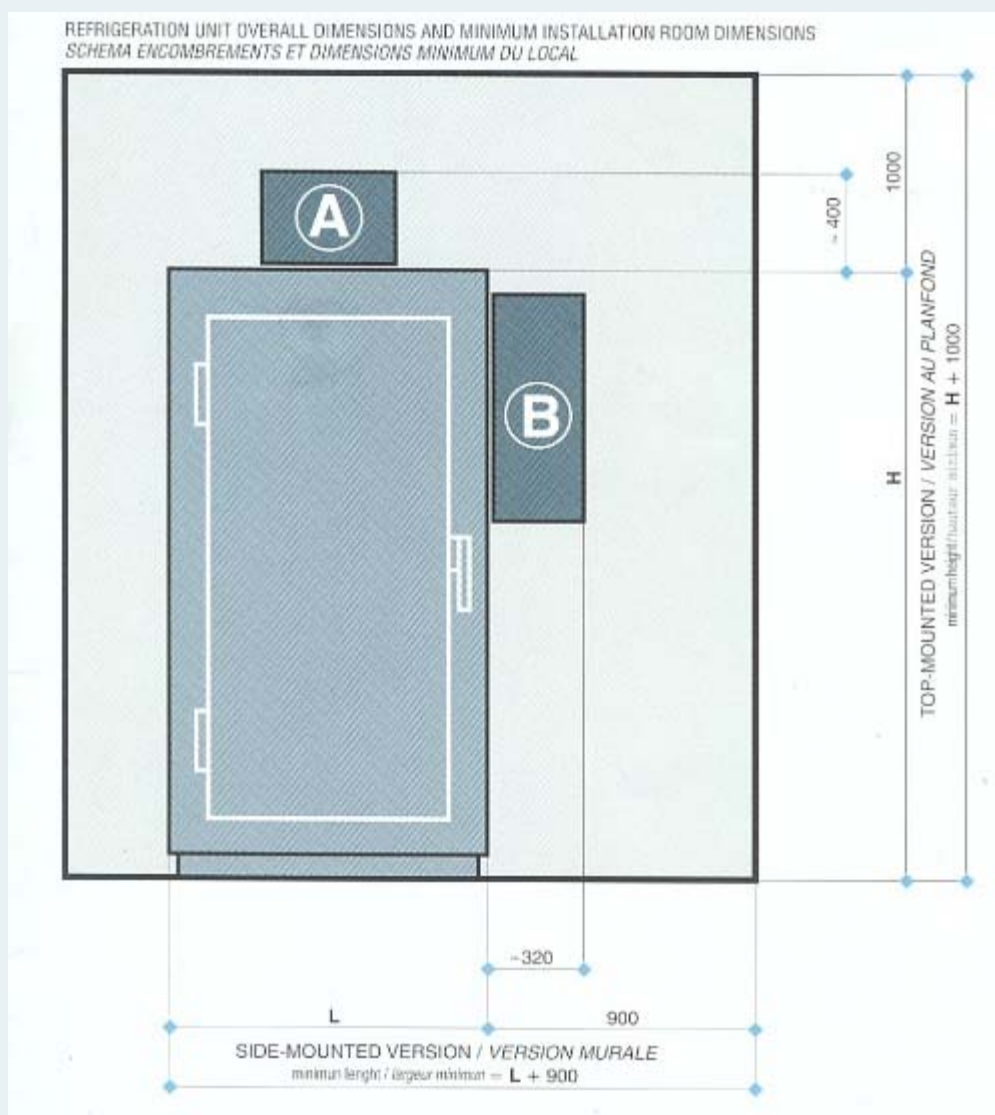
Installation can be performed directly by CEABIS technical personnel, also available for inspections of the system installation rooms.

The assembly of remote-type systems requires the intervention of specialized technical personnel with perfect knowledge of the installation procedures involved.

In this case, the direct intervention of CEABIS personnel is recommended.

Small-sized refrigeration units (one- and two-body versions) can be supplied pre-assembled and shipped in special wooden crates. In these cases, the overall dimensions of the pre-assembled unit must be checked together with the access possibility offered by the installation room.

INTEGRATED COOLING SYSTEM – INSTALLATION MONOBLOC



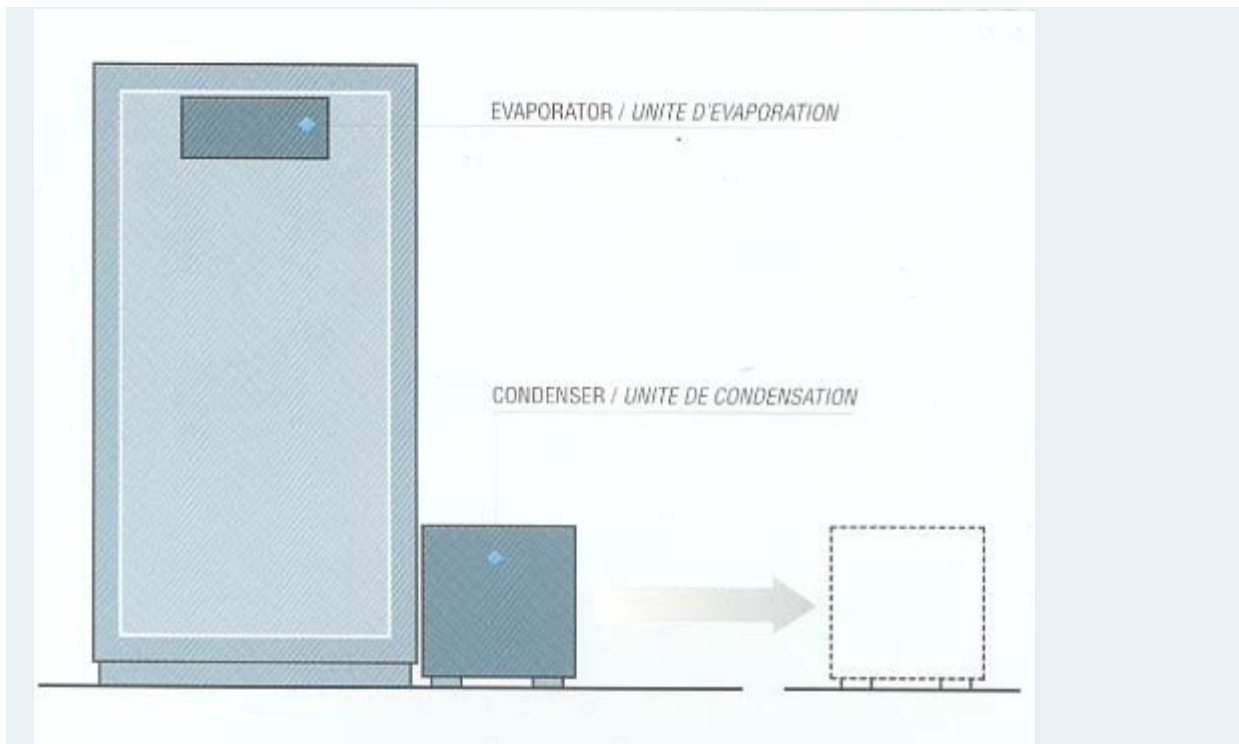
The cooling unit is a single unit containing the condenser, the evaporator and the electronic control panel.

This permits the complete inspection and instant operation of the cooling unit – which is supplied ready for use – after electrical connection, reduced installation times and compact dimensions particularly for the evaporator housed inside the unit (for top-mounted versions).

The integrated cooling system is available in two version:

- TOP-MOUNTED VERSION
- SIDE-MOUNTED VERSION

REMOTE COOLING SYSTEM – INSTALLATION A DISTANCE



Whenever the space around the refrigeration unit is limited, or whenever the integrated system cannot be used for insufficient aeration in the installation room, it is possible to use the remote system.

In this solution, the condenser is separate (even distant) from the refrigeration unit, which houses the evaporator.

Connect With Us

