

PRIMA ENT

Medical Diagnostics



LABOMED 

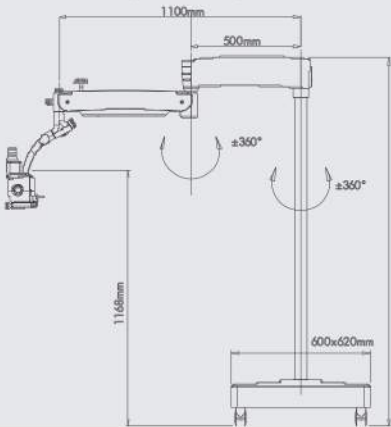
ideas for vision

PRIMA ENT Medical Diagnostics

Specifications

Item	Specification
Prima ENT	
- Binocular tubes	Straight, Ergonomic head tiltable from 0° to 210°
- Eyepieces	WF 10x/16mm with eye guards, optional WF 12.5x/16mm; WF 16x/16mm; WF20x/12mm
- Apochromatic Magnichanger	0.4x, 0.6x, 1.0x, 1.6x & 2.5x
- Objective	f=250, manual fine focus, optional: f=300mm, f=400mm; motorized fine focus
- Light source	50W LED
- Built-in filters	Green & Yellow
- Vertical movement of arm	600 mm
- Microscope carriers	120° ENT carrier
- Optional Accessories	Assistant Binocular attachment Beam splitter iVu S5 5MP Integrated digital camera Module with on-device capture button and SD card. Digital & Analog output through USB v2.0 & RCA ports Double Beam Splitter 0 - 210° inclinable ergo tube

Dimensions (Units: mm)



Configurations

Description	Configuration	Cat. No.
Prima ENT		
Prima ENT	Basic	6137000-000
Prima ENT	Motorized fine focusing	6137000-100

